



تاریخ دریافت ۸۳/۰۷/۰۸، پذیرش مقاله ۸۴/۰۳/۱۱

/ :

E :

E :

$p < / \quad / \pm / \quad / \pm / \quad E$:

$/ \pm / \quad / \pm / \quad / \pm /$:

$p = / \quad / \pm / \quad / \pm / \quad p = / \quad / \pm /$:

E :

E :

E :

(ROS)

()

$Fe^{2+} \rightarrow \text{intermediate complex (es)} \rightarrow Fe^{3+} + OH + OH^-$

()

()

α

(ROS)

()

HPLC

E

$\mu\text{g/ml}$

ID Chrompack, The $\times \text{cm}$) C

()

/ %

(Netherlands

()

()

(MDA)

()

()

β

E

MDA

/ \pm /

$p= /$

/ \pm /

/ \pm /

$\pm /$

)

()

(

()

/

/ \pm /

/ \pm / E

/ \pm /

$p= /$

()

/ \pm /

%

E

MDA

() $p= /$

Packed red cell / ml/Kg

E

() $p= /$

-

()

($r= / p= /$)

$\mu\text{g/L}$

E ($r= / p= /$)

MDA

()

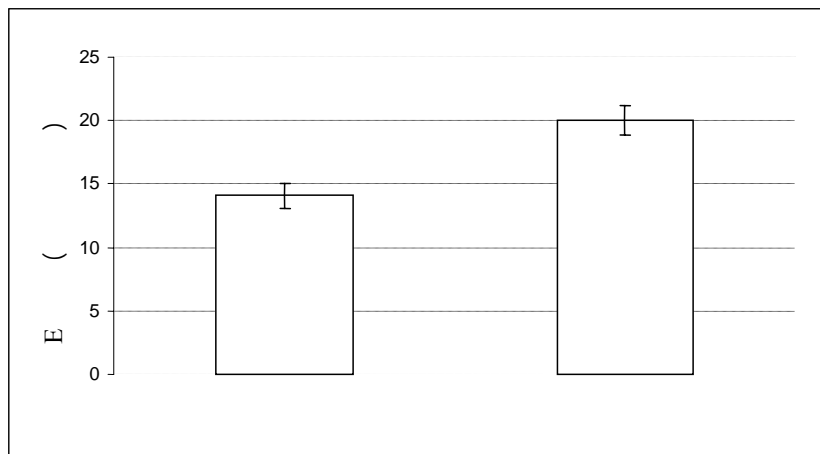
¹ MalonDiAldehyde (MDA)



(Mean ± SD)

:

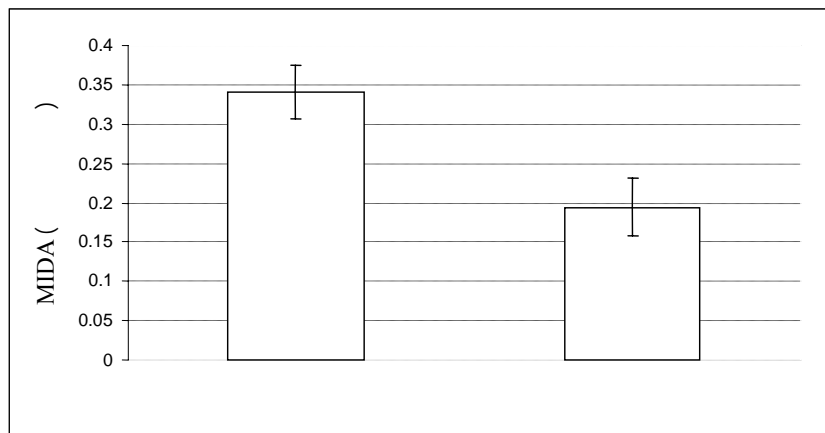
()	()	()	<i>p</i>
()	/ ± /	/ ± /	./...
()	/ ± /	/ ± /	./...
() E	/ ± /	/ ± /	<./...
()	/ ± /	/ ± /	./...



(Mean ± SD) (*p*= 0.001)

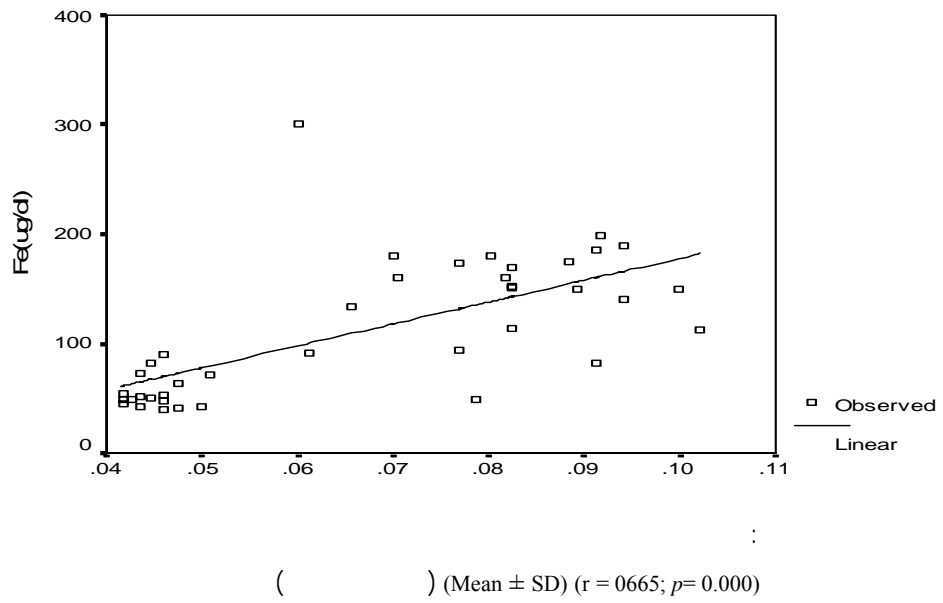
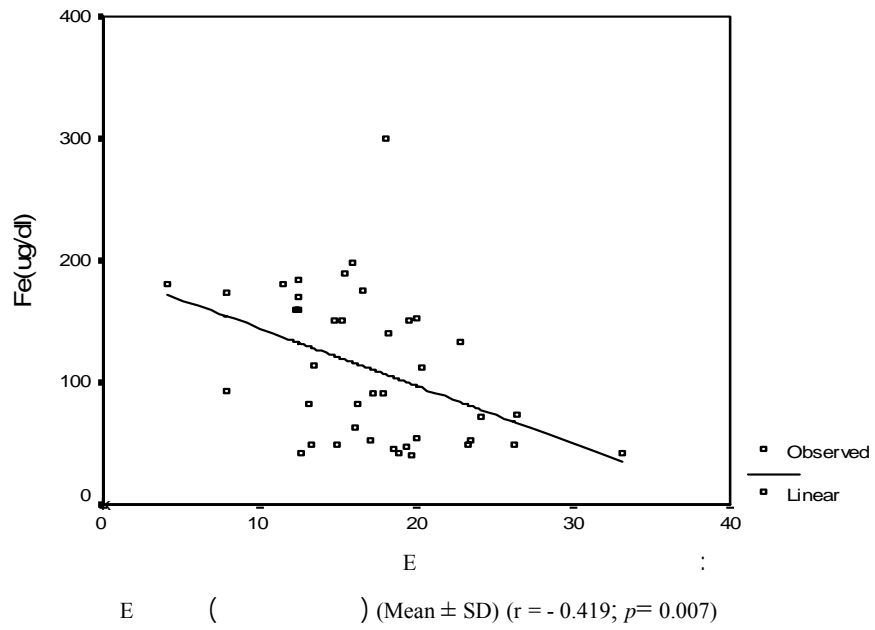
E

:



(Mean ± SD) (*p*= 0.000)

:



/ E

E

E () E

MDA

E ()

/ () MDA

E

References:

1. Britton RS, Leicester KL, Bacon BR: Iron toxicity and chelation therapy. *Int J Hematol*, 2002, 76: 219-228.
2. Jensen PD: Evaluation of iron overload. *Br J Haematol*, 2004, 124: 697-711.
3. Comporti M, Signorini C, Buonocore G, et al: Iron release, oxidative stress and erythrocyte ageing. *Free Radic Biol Med*, 2002, 32: 568-576.
4. Scott MD, Van der Berg JJM, Repka T, et al: Effect of excess alpha-hemoglobin chains on cellular and membrane oxidation model beta-thalassemic erythrocytes. *J Clin Invest*, 1993, 91: 1702-1712.
5. Kattamis C, Kattamis AC: Oxidative stress disturbances in erythrocytes of beta-thalassemia. *Pediatr Hematol Oncol*, 2001, 18: 85-88.
6. Schrier SL, Centis F, Verneris M, Ma L: The role of Oxidant injury in the pathophysiology of human thalassemias. *Redox Rep*, 2003, 8: 241-245.
7. Phymala N, Porasuphatana S, Unchern S et al: Hemin: a possible cause of oxidative stress in blood circulation of beta-thalassemia/hemoglobin E disease. *Free Radic Res*, 2003, 37: 129-135.
8. Chiu DT, van den Berg J, Kuypers FA et al: Correlation of membrane lipid peroxidation with oxidation of hemotglobin variants: possibly related to the rates of hemin release. *Free Radic Biol Med*, 1996, 21: 89-95.
9. Meral A, Tuncel P, Surmen-Gur E, et al: Lipid peroxidation and antioxidant status in beta-thalassemia. *Pediatr Hematol Oncol*, 2000, 17: 687-693.
10. Chakraborty D, Bhattacharyya M: Antioxidant defense status of red blood cells of patients with beta-thalassemia and Ebeta-thalassemia. *Clin Chem Acta*, 2001, 305: 123-129.
11. Tesoriere L, D' Arpa D, Maggio A, et al: Oxidation resistance of LDL is correlated with vitamin E status in beta – thalassemia intermedia. *Atherosclerosis*, 1998, 137: 429-435.
12. Livrea MA, Tesoriere L, Maggio A, et al: Oxidative modification of low-density lipoprotein and atherogenetic risk in beta – thalassemia. *Blood*, 1998, 92: 3936-3942.

13. Alpert PT: New and emerging theories of cardiovascular disease: infection and elevated iron. *Biol Res Nurs*, 2004, 6: 3-10.
14. Nourooz-Zadeh J, Tajaddini-Sarmadi J, Birlouez-Aragon I et al: Measurement of hydroperoxides in edible oils using the ferrous-oxidation in xylenol orange assay. *J Agric Food Chem*, 1995, 43: 17-21.
15. Lepage G, Munoz G, Champagne J, et al: Preparative steps necessary for the accurate measurement of malondialdehyde by high-performance liquid chromatography. *Anal Biochem*, 1991, 197: 277-283.
16. Halliwell B, Chirico S: Lipid peroxidation, its mechanism, measurement and significance. *Am J Clin Nutr*, 1993, 57: 715S-725S.
17. Packer L, Weber SU, Rimbach G: Molecular aspects of alpha-tocotrienol antioxidant action and cell signaling. *J Nutr*, 2001, 131 [Suppl]: 369-373S.
18. Cighetti G, Duca L, Bortone L, et al: Oxidative status and malondialdehyde in beta – thalassemia patients. *Eur J Clin Invest* 2002, 32[Suppl 1]: 55-60.
19. Kassab-Chekir A, Laradi S, Ferchichi S, et al: Oxidant, antioxidant status and metabolic data in patients with beta – thalassemia. *Clin Chim Acta*, 2003, 8: 79-86.
20. Das N, Das Chowdhury T, Chattopadhyay A, et al: Attenuation of oxidative stress-induced changes in thalassemic erythrocytes by vitamin E. *Pol J Pharmacol*, 2004, 56: 85-96.
21. Livrea MA, Tesoriere L, Pintaudi AM, et al: Oxidative stress and antioxidant status in beta-thalassemia major iron overload and depletion of lipid – soluble antioxidants. *Blood*, 1996, 88: 3608-3614.
22. Or Ruutu R: Determination of iron and saturated iron – binding capacity in serum with ferrozine. *Clin Chim Acta*, 1975, 61: 229.