

()

*

(// : // :)

°C °C °C °C

()

% % %

(SCI)

°C

°C

%

°C

°C

()

(.)

1 ×

(.)

(.)

:

:

*

() ()

()
()

()

()

()

() % %

% °C °C °C

°C

%

()

(°C °C)

°C

()

()

()

5. Video Microscopy
6. Image Analysis

1. Fine Fissures
2. Stress Crack
3. Head Rice Yield (HRY)
4. Head Rice Yield Reduction (HRYR)

()

()

()

()

()

()

()

()

()

()

()

Daego

3. Stress Cracking Index (SCI)

1. Head Rice Yield (HRY)
2. Head Rice Yield Reduction (HRYSR)

()

() ()

() °C
% / % /

() °C

()

% °C

()

() AC

+()			
()			
/	/	/	/
/	/	/	/

()

+

°C

% %

°C °C °C

%

1. International Rice Research Institute (IRRI)

2. Memmert

(wet basis)

(SCI)

()

()

$$SCI = m \cdot 5 + d \cdot 3 + s$$

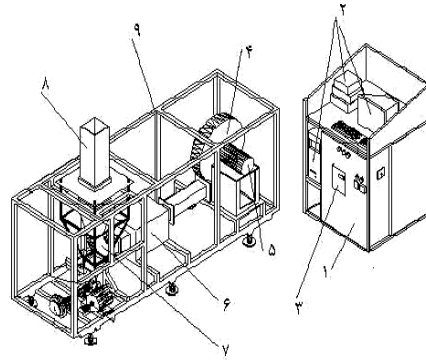
=SCI

()

=m

=d

=s



% %

°C

°C

°C

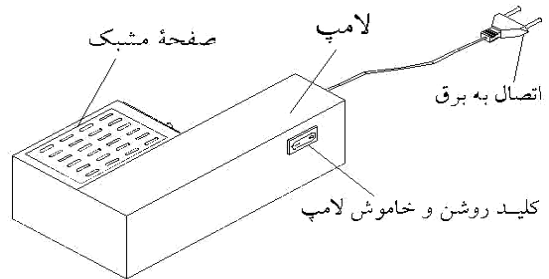
°C

°C

°C

°C

°C

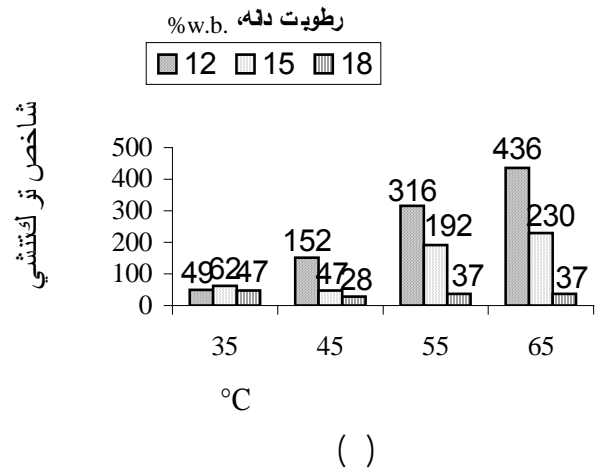
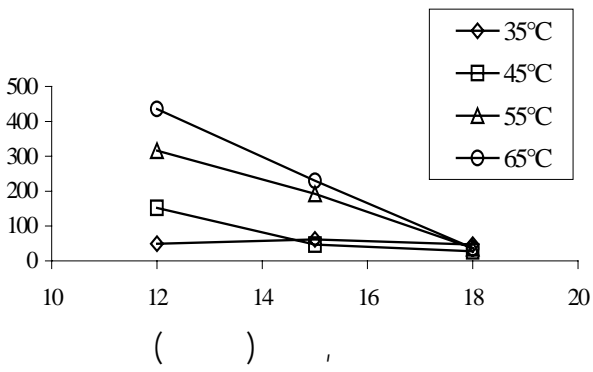
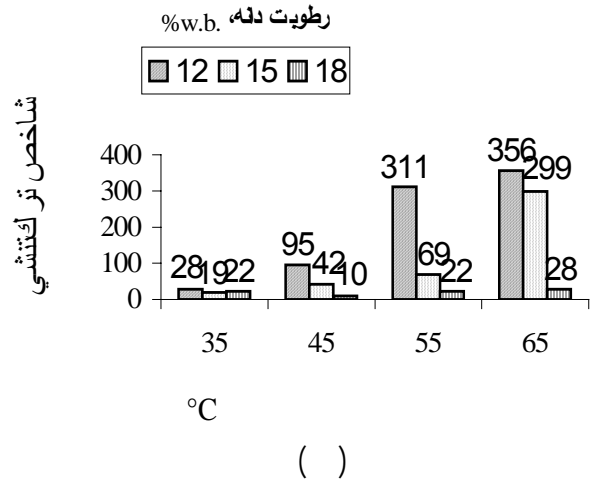
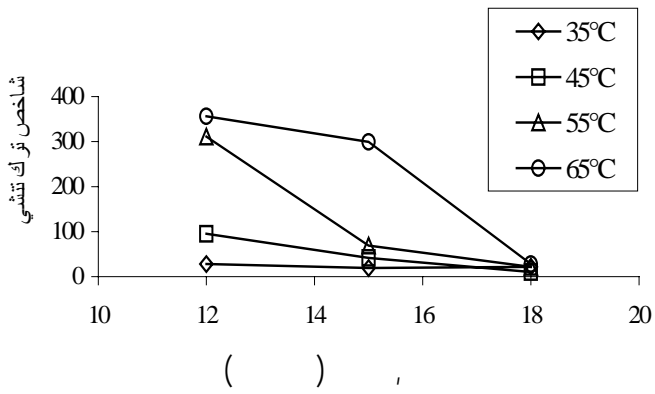


() ()

() . % . %

(°C) (%w.b.)

(%w.b.) (°C)



% %

%

°C

°C

°C

%

4. Abud-Archila, M., C. Bonazzi, H. Aichoune & B. Heyd. 1999. Image analysis of shrinkage and cracking of rice during convective drying. Second European Congress of Chemical Engineering.
5. Bautista, R. C. & T. J. Siebenmorgen. 1999. Fissure formation in brown rice kernels observed with a video microscopy system. Ongoing studies: Rice quality and processing.
6. Blakeney, A. B. 1996. Rice. In: Cereal grain quality. Edited by R. J. Henry and P. S. Kettlewell. Chapman & Hall, 2-6 Boundry Row. London SE1 8HN. UK.
7. Chakraverty, A. & R. P. Singh. 2001. Post harvest technology: cereals, pluses and oilseeds. Science Publishers, Inc., Enfield. New Hampshire. USA. Printed in India.
8. Chen, H., T. J. Siebenmorgen & B. P. Marks. 1997. Relating drying rate constant to head rice yield reduction on long-grain rice. Transactions of the ASAE 40(4): 1133-1139.
9. Cnossen, A. G. J. Jimenez & T. J. Siebenmorgen. 2003. Rice fissuring response to high drying and temperatures. Journal of Food Engineering 59(1):61-69.
10. Gunasekaran, S., S. Deshpande, M. R. Paulsen & G. C. Shove. 1985. Size characterization of stress cracks in corn kernels. Transactions of The ASAE 28(5): 1668-1672.
11. Gunasekaran, S., T. M. Cooper, A.G. Berlage & P. Krishnan. 1987. Image processing for stress cracks in corn kernels. Transactions of the ASAE 30(1): 266-270.
12. Juliano, B. O. 1993. Rice in human nutrition. FAO Food and Nutrition series No. 26. International Rice Research Institute.
13. Kunze, O R. 1995. Effect of drying on grain quality- Moisture readsorption causes fissured grains. International Conference on Grain drying. East Asia, Bangkok. Thailand.
14. Kunze, O. R. & S. Prasad. 1978. Grain fissuring potentials in harvesting and drying of rice. Transactions of the ASAE 21(2): 361-366.
15. Kunze, O. R. 1979. Fissuring of the rice grain after heated air drying. Transactions of the ASAE 22(5): 1197-1201, 1207.
16. Lan, Y. & O. R. Kunze. 1996. Fissure characteristics related to moisture adsorption stress in rice. Transactions of the ASAE 39(6): 2169-2174.
17. Lan, Y. & O. R. Kunze. 1996. Fissure resistance of rice varieties. Applied Engineering in Agriculture. Vol. 12(3): 365-368.
18. Maier, D. E. & A. E. Watkins. 1998. Drying of high oil Corn for quality. GQFS-35. Grain quality fact sheets can be accessed on-line through the word wide web at: <http://www.agcom.purdue.edu/AgCom/Pubs/grain.htm>. (select) Grain Quality.
19. Maier, D. E. & A. E. Watkins. 1998. Drying of white food corn for quality. GQFS-34. Grain quality fact sheets can be accessed on-line through the word wide web at: <http://www.agcom.purdue.edu/AgCom/Pubs/grain.htm>. (select) Grain Quality.
20. Nalladurai, K., K. Alagusundaram & P. Gayathri. 2003. Effects of variety and moisture content on the engineering properties of paddy and rice. Agricultural Mechanization in Asia, Africa and Latin America (AMA) 34(2): 47-52.
21. Nguyen, C. N. & O. R. Kunze. 1985. Fissures related to post-drying treatments in rough rice. Cereal Chemistry 61(1): 63-68.
22. Sarker, N. N., O. R. Kunze & T. Strouboulis. 1996. Transient moisture gradients rough rice mapped with finite element model and related to fissure after heated air drying. Transactions of the ASAE 39(2): 625-631.
23. Watkins, A. E. & D. E. Maier. 2001. Thin-layer drying rates, stress cracking and digestibility of selected high-oil corn hybrids. Transactions of the ASAE 44(3): 617-622.